



### 2DM409



*Actual product appearance may vary.*

**Snap-in Panel Mount Switch, Double Pole Double Throw (DPDT) Circuitry, 10 A at 277 Vac, Finger Grip Plunger Actuator, Silver Contacts, Quick Connect Termination**

#### Features

- Attractive, rugged snap-in panel mount design - easy installation
- Choice of momentary, alternate push-pull or pull-to-charge operation
- Quick-connect terminals
- Expected mechanical life: 1 million operations, 95% survival
- UL recognized file #E22779, CSA certified file #LR4442

#### Potential

#### Applications

- Appliance door lights
- Door interlocks
- Stop/start switches

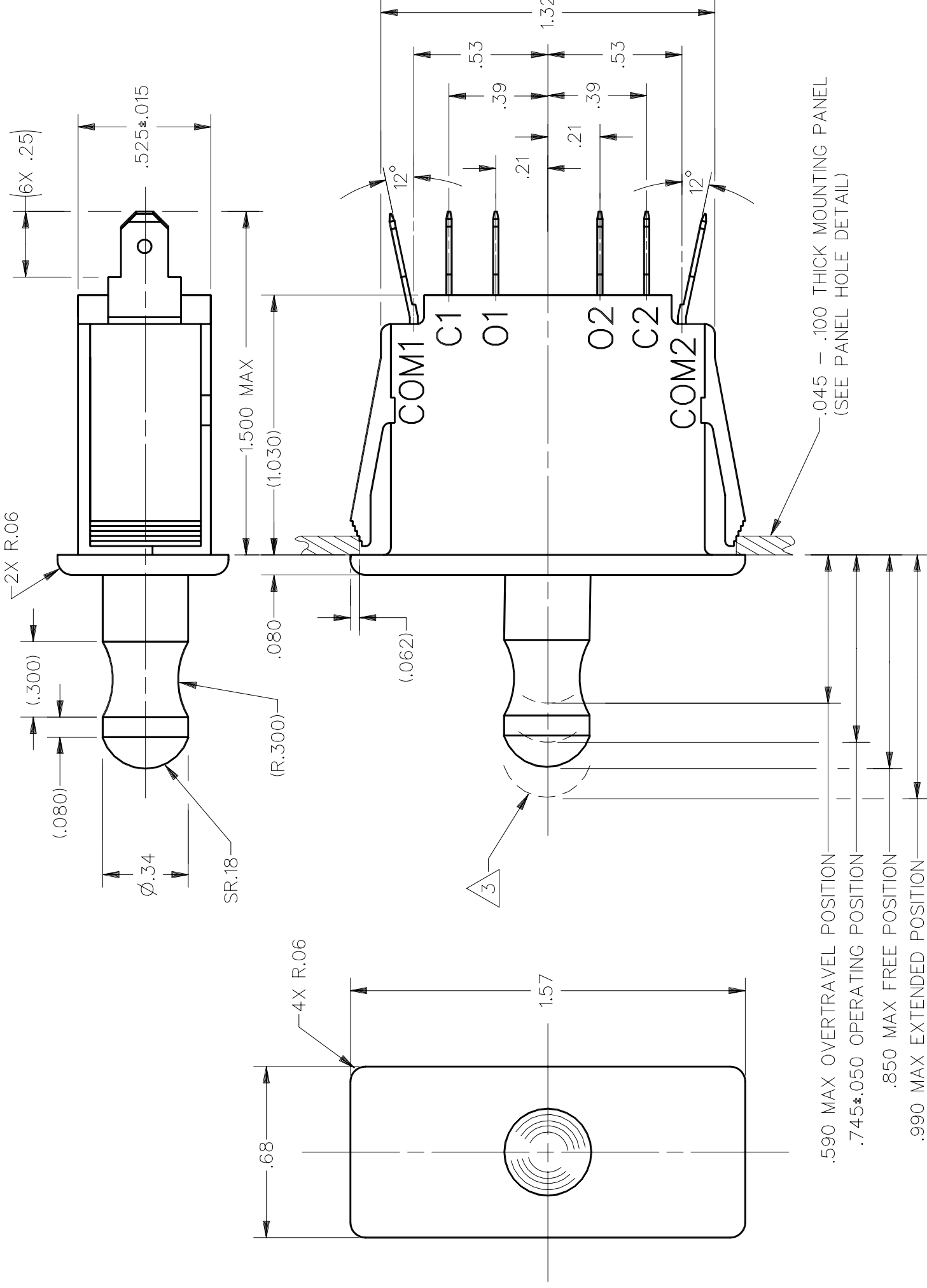
#### Description

The MICRO SWITCH™ DM/DP Series are snap-action switches in basic and manual configurations. They have quick-connect terminals and snap-in, panel mount housings for ease of installation. They include momentary and alternate actions, and single- or double-pole. The DM accept a button for manual operation. The DP have plungers for basic operation.

Product Specifications	
Switch Type	Snap-in Panel Mount (0.55 in x 1.45 in panel cutout)
Sealed	No
Ampere Rating	10 A
Circuitry	Double Pole Double Throw (DPDT)
Actuator	Finger Grip Plunger
Termination	Quick Connect
Operating Temperature Range	-37 °C to 82 °C [-35 °F to 180 °F]
Voltage	277 Vac
Approvals	CSA,UL
Contact Type	Silver

Operating Force (O.F.)	6,67 N [24 oz] max.
Overtravel (O.T.)	2,69 mm [.105 in] min.
Operating Position (O.P.)	18,9 ± 1,3 mm [0.745 ± 0.050 in]
Free Position (F.P.)	21,6 mm [0.850 in] max.
Housing Material	Polyester
CE mark	No
UL File #	E12252
CSA File #	LR4442
Agency Approvals and Standards	UL/CSA
Recommended For	Door Status Indication
Availability	Global
Series Name	DM/DP

REPLACES	RELEASE NO. PR-2116	10 M	ISSUE	2DM409	CATALOG LISTING
DHD DRAWN	DHD 23 JUL 92	10 M	ISSUE	2DM409	CATALOG LISTING



.590 MAX OVERTRAVEL POSITION  
.745 ± .050 OPERATING POSITION  
.850 MAX FREE POSITION  
.990 MAX EXTENDED POSITION

THIS DRAWING COVERS A PROPRIETARY ITEM AND IS THE PROPERTY OF MICRO SWITCH. A DIVISION OF HONEYWELL. THIS DRAWING IS NOT TO BE COPIED OR USED WITHOUT THE APPROVAL OF MICRO SWITCH

**CHARACTERISTICS**

OPERATING FORCE - - - - 24 OZ MAX  
(TO OPERATE BOTH CIRCUITS)

**ELECTRICAL DATA**

CONTACT ARRANGEMENT  
D P D T

L181  
10A 1/2HP 125, 250 OR 277 VAC



WEIGHT

THIRD ANGLE PROJECTION



SCALE 2 TO 1

DO NOT SCALE PRINT

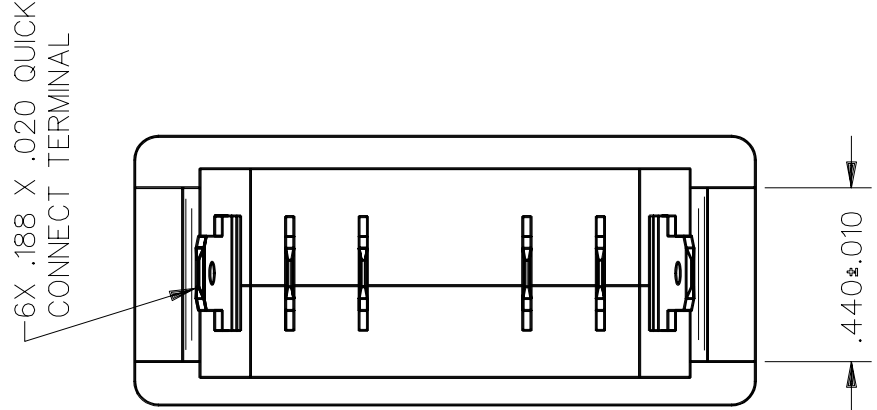
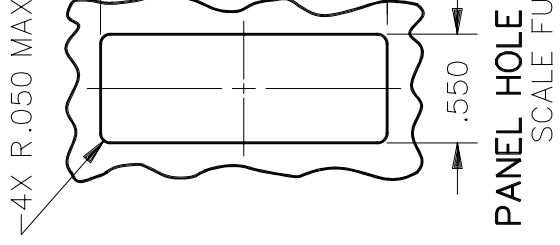
**UNLESS OTHERWISE SPECIFIED TOLERANCES ARE**

ONE PLACE (.0) ±.030

TWO PLACE (.00) ±.015

THREE PLACE (.000) ±.005

ANGLES ± 5°



**NOTES**

- 1 - BLACK PLASTIC CASE AND PLUNGER
- 2 - NOMINAL CUTOUT DIMENSION FOR PANELS BETWEEN .045 AND .100 SHOULD BE INTERPOLATED BETWEEN 1.445 AND 1.455
- 3 - PUSH TO OPERATE - MOMENTARY, PULL TO OPERATE - MAINTAINED